

PRODUCT DATA SHEET

CLA-C3X • 810219 | CLA-C5X • 810338



BRAND



PRODUCT DETAILS

The CLAYTECH C3X & CX5 are self-priming centrifugal jet pumps with excellent suction capacity, even when air is present in the water. Particularly indicated for water supply and pressure boosting in houses. Thanks to their compact and handy shape, they are also used for particular applications as portable pumps for emergency situations.

Note: This pump cannot be used in swimming pools, ponds or basins where people are present, or for pumping hydrocarbons (petrol, diesel fuel, combustible oils, solvents, etc.) in accordance with the accident-prevention regulations in force. They should be cleaned before putting them away.

APPLICATIONS

- Small farming
- Gardening
- Boosts pressure / drawing water from tanks or rivers
- Drinking water
- General hobby activity

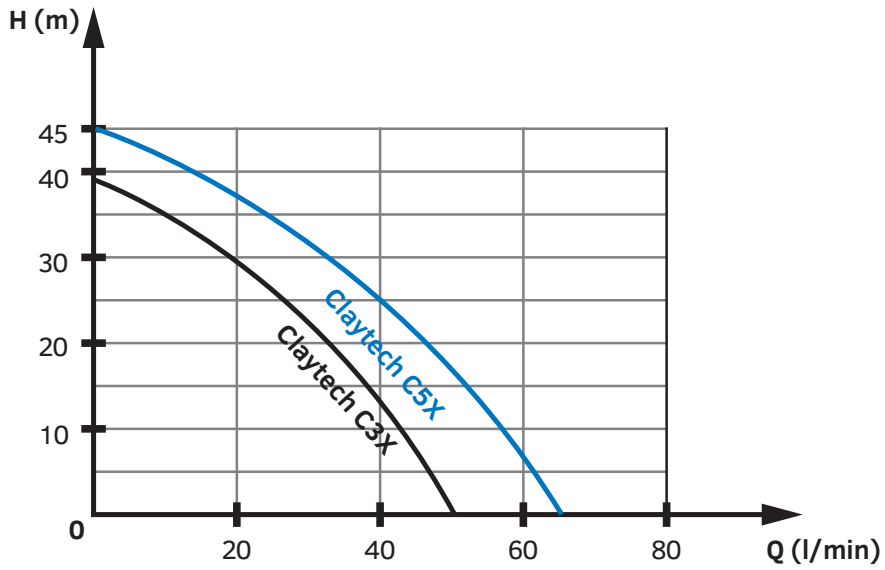
FEATURES

- Compact
- Automatic on/off
- Easy to use
- Dry-run protection
- Intelligent controller
- Water cooled motor

TECHNICAL DATA

ELECTRICAL DATA	C3X	C5X	HYDRAULIC DATA	C3X	C5X
P1 RATED ABSORBED POWER (W)	650	1100	MAX FLOW RATE (L/H)	3000	3720
P2 (W)	400	750	MAX HEAD (M)	39	45
MAINS VOLTAGE (V)	1~220-240AC		MAX HEAD (BAR)	3.9	4.5
MAINS FREQUENCY (HZ)	50		MAX FLOW (L/MIN)	50	62
CURRENT (AMPS)	3.11	4.6	CUT IN/OUT PRESSURE (BAR)	2.2 / 3.9	2.2 / 4.5
CAPACITOR (µF)	12.5	16	RATED OUTPUT (P2 W)	400	750
CAPACITOR (VC)	450		MAX SUCTION DEPTH (M/MIN)	8m/<3min	
RANGE OF USE	C3X	C5X	WEIGHT	C3X	C5X
LENGTH OF POWER CABLE (M)	1.5		DNM GAS	1" M	
TYPE OF CABLE	H07 RNF		NET/GROSS WEIGHT (KG)	10.28/11.17	11.48/12.9
GRADE OF MOTOR PROTECTION	IP X4				
INSULATION CLASS	F				
MAX PARTICLE DIMENSION	Clean Water				
TEMPERATURE	0° - 35° C				

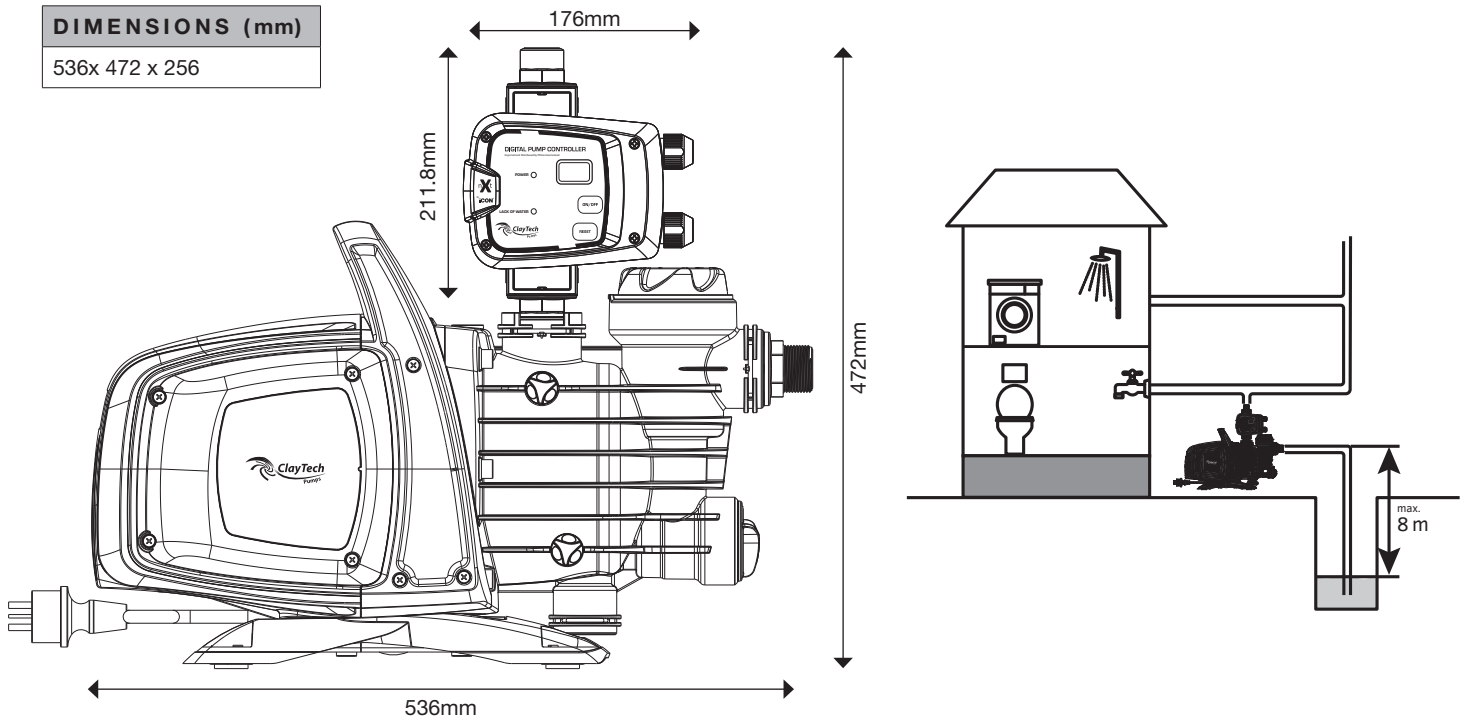
CURVE



DIMENSIONS

DIMENSIONS (mm)

536x 472 x 256



WARRANTY / CERTIFICATIONS

